

# Closed-loop identification of multivariable processes with part of the inputs controlled

Martijn Leskens

TNO Environment, Energy and Process  
 Innovation

Laan van Westenenk 501, P.O. Box 342  
 7300 AH Apeldoorn, The Netherlands

m.leskens@mep.tno.nl

Paul M.J. Van den Hof

Delft Center for Systems and Control  
 Delft University of Technology

Mekelweg 2, 2628 CD Delft, The Netherlands

p.m.j.vandenhof@dcsc.tudelft.nl

**Abstract**—In many multivariable industrial processes a subset of the available input signals is being controlled. In this paper it is analyzed in which sense the resulting partial closed-loop identification problem is actually a full closed-loop problem, or whether one can benefit from the presence of noncontrolled inputs to simplify the identification problem. The analysis focusses on the bias properties of the plant estimate when applying the direct method of prediction error identification, and the possibilities to identify (parts of) the plant model without the need of simultaneously estimating full-order noise models.

## I. INTRODUCTION

In the closed-loop identification literature, the experimental situation generally considered is the one depicted in figure 1 (see [1], [3], [5]). However in industrial practice one will

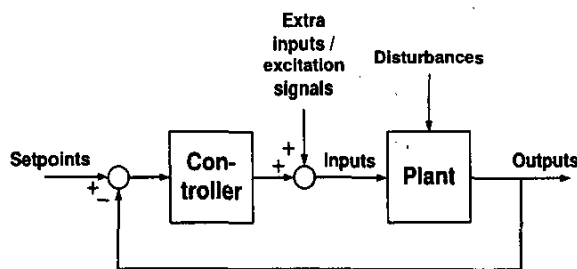


Fig. 1. "Complete" closed-loop configuration.

regularly encounter the situation as sketched in figure 2, where only subsets of the input and output signals are used in the control loop. Open-loop inputs might, for example, be

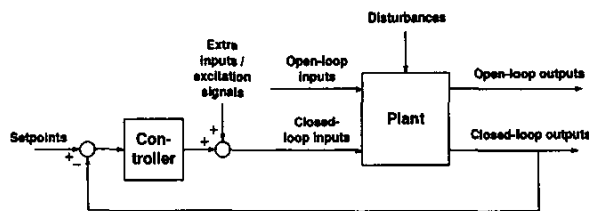


Fig. 2. Partial closed-loop configuration.

either manipulated variables that are not manipulated by the

controller or measurable disturbances. Open-loop outputs typically are variables of which measurements are available apart from the controlled variables (closed-loop outputs) and which one also would like to use as outputs of a model to be estimated. This latter situation frequently occurs at modern large scale industrial plants where the data acquisition systems typically deliver many more measurements of process variables than just the controlled variables.

The identification of partial closed-loop systems has not been dealt with extensively in the literature (although sometimes mentioned as e.g. in [9]). For analyzing the problem one could rephrase the partial closed-loop identification (PCLID) problem as a "complete" closed-loop identification (CCLID) problem where the controller has zero entries and some setpoint variables can not be excited. In this way the statistical properties of estimates can be analyzed using existing theory on closed-loop prediction error identification. It is well known that a closed-loop experimental situation has a severe impact on identification methods. When focussing on the so-called direct method ([3]) of prediction error identification, two main consequences of the closed-loop situation are that

- a) a consistent plant model can only be identified if also the full noise model is estimated consistently; and
- b) the variance of the plant estimate is determined by only the noise-free part of the (closed-loop) input signals.

Point a) can be rather problematic in situations with large numbers of inputs/outputs. Estimating a full-order plant and noise model can easily lead to high-dimensional and complex non-convex optimization problems that are hard to solve. As a result a separation of the identification problem can be attractive, where in a first step a plant model is identified and in a second step the noise model is estimated if required, while both models can be validated separately. In an open-loop experimental setup this can be achieved by using independently parametrized plant and noise models. However in a closed-loop setting using the direct identification method an identification of the plant model separately will fail due to property a) mentioned above.

In this paper the central question to be considered is: in the given situation of a partial closed-loop setting, is a separate identification of plant model feasible, or in other words: can

advantages of an open-loop experimental setup be used to facilitate separate identification of (possibly a part of) the plant model?

After specifying the appropriate setting and notation in section II, the general convergence analysis for direct prediction error methods will be recalled in section III. Next the particular situation of a partial closed-loop setting will be considered. Section VI will discuss some consequences and consider alternative closed-loop identification methods. The paper ends in section VII with conclusions summarizing the answer to the question raised above.

## II. SETUP AND NOTATION

The closed-loop system configuration to be considered is sketched in figure 3, where  $u_1$  and  $y_1$  reflect the open-loop inputs and outputs, while  $u_2$  and  $y_2$  are the closed-loop (controlled) inputs and outputs. All indicated signals are considered to be multivariate. The system equations are given by

$$\begin{bmatrix} y_1(t) \\ y_2(t) \end{bmatrix} = G_o(q) \begin{bmatrix} u_1(t) \\ u_2(t) \end{bmatrix} + H_o(q) \begin{bmatrix} e_1(t) \\ e_2(t) \end{bmatrix} \quad (1)$$

$$u_2(t) = K(q)[r(t) - y_2(t)] \quad (2)$$

where  $r$  is a set of setpoint signals and  $K$  a feedback controller.  $H_o$  is a monic stable and stably invertible noise filter, and  $e = [e_1^T \ e_2^T]^T$  a multivariate white noise process with covariance matrix  $\mathbb{E}[ee^T] = \Lambda_o$ .

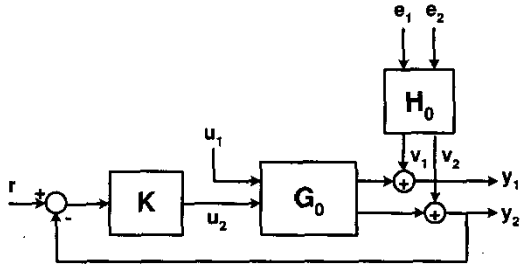


Fig. 3. Partial closed-loop system (with both open- and closed-loop inputs and both open- and closed-loop outputs).

$G_o$  and  $H_o$  are partitioned according to

$$G_o = \begin{bmatrix} G_o^{11} & G_o^{12} \\ G_o^{21} & G_o^{22} \end{bmatrix}; \quad H_o = \begin{bmatrix} H_o^{11} & H_o^{12} \\ H_o^{21} & H_o^{22} \end{bmatrix}.$$

with  $G_o^{ji}$  representing the part of  $G_o$  with  $u_i$  as its inputs and  $y_j$  as its outputs.

It is further assumed that possible excitation signals  $u_1$  are uncorrelated with  $e$ , and that setpoint signals  $r$  are uncorrelated to  $u_1$  and  $e$ .

In the direct method of prediction error identification a one-step ahead predictor model defined by  $G_\theta$  and  $H_\theta$  is considered, leading to a prediction error

$$\varepsilon(t, \theta) = H_\theta(q)^{-1}[y(t) - G_\theta(q)u(t)]$$

and an estimated model on the basis of  $N$  data is obtained by

$$\hat{\theta}_N = \arg \min_{\theta} \frac{1}{N} \sum_{t=1}^N \varepsilon^T(t, \theta) \Lambda^{-1} \varepsilon(t, \theta),$$

with  $\Lambda$  a symmetric positive definite weighting matrix. For further details and assumptions on the prediction error setting we refer to [3], where it is shown that under fairly general conditions the parameter estimate  $\hat{\theta}_N$  converges as  $N$  tends to infinity with probability 1 to

$$D_c = \arg \min_{\theta} \mathbb{E} \varepsilon^T(t, \theta) \Lambda^{-1} \varepsilon(t, \theta). \quad (3)$$

## III. CONVERGENCE ANALYSIS OF THE DIRECT APPROACH

The asymptotic parameter estimate  $D_c$  (3) can be represented as a frequency domain integral by applying Parseval's relation. For the considered closed-loop situation this results in (see [3] for the scalar situation and [1] for the multivariable case):

$$D_c = \arg \min_{\theta} \int_{-\pi}^{\pi} \text{tr} \left[ [(G_o - G_\theta) (H_o - H_\theta)] \Phi_{\chi_0} \times \begin{bmatrix} (G_o - G_\theta)^* \\ (H_o - H_\theta)^* \end{bmatrix} (H_\theta \Lambda H_\theta^*)^{-1} \right] d\omega \quad (4)$$

where  $\Phi_{\chi_0}$  is the spectral density of the signal  $\chi_0(t) := [u^T(t) \ e^T(t)]^T$ , and  $(\cdot)^*$  refers to the complex conjugate transpose.

In corollary 5 of [1] the expression for  $D_c$  is reformulated into an expression that more directly represents the bias properties of the plant estimates  $\hat{G}$ . This corollary states that under the additional assumption that  $u$  is persistently exciting (see [3] for a definition),  $D_c$  is characterized by

$$D_c = \arg \min_{\theta} \int_{-\pi}^{\pi} \text{tr} \left[ [(G_o + B_G - G_\theta) \Phi_u (G_o + B_G - G_\theta)^* + (H_o - H_\theta) \Phi_e^r (H_o - H_\theta)^*] (H_\theta \Lambda H_\theta^*)^{-1} \right] d\omega \quad (5)$$

with

$$B_G = (H_o - H_\theta) \Phi_{eu} \Phi_u^{-1} \quad (6)$$

and  $\Phi_e^r = \Lambda_o - \Phi_{eu} \Phi_u^{-1} \Phi_{ue}$ .

The so called "bias-pull"  $B_G$  characterizes the amount of bias that is obtained for the  $G$ -estimate due to the controller induced correlation between the white noise terms  $e$  and inputs  $u$ . This bias-pull term might be considered as an extra bias on top of the bias introduced by the fact that the model structure  $G_\theta$  might not be flexible enough to contain  $G_o$  ( $G_o \notin \mathcal{G}$ ). It follows from the expression (5) that if  $B_G = 0$ , then  $G_\theta = G_o$  is minimizing the trace expression, provided that the parameters that occur in  $H_\theta$  are independent of the parameters in  $G_\theta$ . In that situation the plant model will be identified without bias.

Note that this situation typically occurs in a "full" open-loop problem where there is no correlation between noise signals and inputs. Then  $\Phi_{eu} = 0$ , and by (6) it follows that  $B_G = 0$ .

#### IV. CONVERGENCE ANALYSIS IN THE CASE OF PCLID DATA

##### A. General case

In order to find out if any of the elements of  $B_G$  becomes zero for the PCLID case, one simply has to analyse the expression (6) for this situation. Because of the particular closed-loop configuration considered in the setup of figure 3 it follows that  $\Phi_{e_1 u_1} = \theta$  and  $\Phi_{e_2 u_1} = \theta$ . As a result  $\Phi_{eu}$  will be structured as

$$\Phi_{eu} = \begin{bmatrix} 0 & \star \\ 0 & \star \end{bmatrix}$$

where  $\star$  refers to a general (non structural-zero) element. Substituting this into the expression (6), and taking into account that because of the closed-loop configuration  $\Phi_u$  will be a matrix without structural-zero elements, there will not be an entry in  $B_G$  that is structurally equal to 0. This leads to the following proposition.

*Proposition 1:* Consider the partial closed-loop identification problem as formulated above. In this situation the presence of an open-loop excitation signal  $u_1$  does not imply that entries of the plant  $G_o$  can be identified asymptotically unbiased independent of the choice of the model structure for  $H_o$ .  $\square$

In other words: closing a single loop in an industrial process does generally turn the identification problem into a "full" closed-loop problem, and no single entries in  $G_o$  can be estimated asymptotically unbiased without fully parametrizing and identifying the noise models also.

In order to specify possible special cases the bias pull term  $B_G$  is specified in terms of its several entries. By simply analyzing the expression (6) (for  $\Phi_{e_1 u_1} = \theta$  and  $\Phi_{e_2 u_1} = \theta$ ) it follows that

$$B_G = \begin{pmatrix} B_G^{11} & B_G^{12} \\ B_G^{21} & B_G^{22} \end{pmatrix} \quad (7)$$

with

$$\begin{aligned} B_G^{11} &= -(H_o^{11} - H_\theta^{11})\Phi_{e_1 u_2}\Phi_{u_2}^{-1}\Phi_{u_2 u_1}\Delta^{-1} \\ &\quad -(H_o^{12} - H_\theta^{12})\Phi_{e_2 u_2}\Phi_{u_2}^{-1}\Phi_{u_2 u_1}\Delta^{-1} \\ B_G^{12} &= (H_o^{11} - H_\theta^{11})\Phi_{e_1 u_2}(\Phi_{u_2}^{-1} + \\ &\quad \Phi_{u_2}^{-1}\Phi_{u_2 u_1}\Delta^{-1}\Phi_{u_1 u_2}\Phi_{u_2}^{-1}) + \\ &\quad (H_o^{12} - H_\theta^{12})\Phi_{e_2 u_2}(\Phi_{u_2}^{-1} + \\ &\quad \Phi_{u_2}^{-1}\Phi_{u_2 u_1}\Delta^{-1}\Phi_{u_1 u_2}\Phi_{u_2}^{-1}) \\ B_G^{21} &= -(H_o^{21} - H_\theta^{21})\Phi_{e_1 u_2}\Phi_{u_2}^{-1}\Phi_{u_2 u_1}\Delta^{-1} \\ &\quad -(H_o^{22} - H_\theta^{22})\Phi_{e_2 u_2}\Phi_{u_2}^{-1}\Phi_{u_2 u_1}\Delta^{-1} \\ B_G^{22} &= (H_o^{21} - H_\theta^{21})\Phi_{e_1 u_2}(\Phi_{u_2}^{-1} + \\ &\quad \Phi_{u_2}^{-1}\Phi_{u_2 u_1}\Delta^{-1}\Phi_{u_1 u_2}\Phi_{u_2}^{-1}) + \\ &\quad (H_o^{22} - H_\theta^{22})\Phi_{e_2 u_2}(\Phi_{u_2}^{-1} + \\ &\quad \Phi_{u_2}^{-1}\Phi_{u_2 u_1}\Delta^{-1}\Phi_{u_1 u_2}\Phi_{u_2}^{-1}) \end{aligned} \quad (8)$$

and  $\Delta = \Phi_{u_1} - \Phi_{u_1 u_2}\Phi_{u_2}^{-1}\Phi_{u_2 u_1}$ . Notice that none of the elements of  $B_G$  is zero, i.e. they all remain dependent on

the bias of some part of the noise model: one might have expected that at least some part of  $B_G$ , e.g.  $B_G^{11}$  would have become zero. The fact that all elements of  $B_G$  remain nonzero immediately leads to the conclusions that, for this PCLID case, (i) the complete noise model must be estimated without bias in order to obtain a completely unbiased  $G$ -estimate (in case  $G_o \in \mathcal{G}$ ) and (ii) no explicit user-defined tuning of any part of the bias of the  $G$ -estimate is possible. These conclusions are exactly the same as for the CCLID case and, thus, this PCLID problem should be treated as a CCLID problem (or one should resort to an alternative PCLID method).

The expressions given above for the bias-pull terms are valid for the most general situation possible, i.e. without any additional structural conditions on  $G_o$  and/or  $H_o$ . It is interesting to find more restrictive, i.e. less general, assumptions and experimental conditions for which some or all of the bias-pull expressions (8) become zero.

##### B. The case of uncorrelated disturbances $v_1$ and $v_2$

A particular case that leads to special results is when the disturbances  $v_1$  acting on the open-loop outputs are uncorrelated with those acting on the closed-loop outputs  $v_2$ . This can be represented by the requirements that  $H_o^{21} = 0$ ,  $H_o^{12} = 0$ , and  $\Lambda_o$  block-diagonal. The direct consequence then is that  $\Phi_{e_1 v_2} = 0$  and this can further simplify the expressions for  $B_G$ , as formulated next.

*Proposition 2:* Consider the partial closed-loop identification problem as formulated before. Under the additional conditions:

- (i)  $v_1$  and  $v_2$  are uncorrelated, and
- (ii) the model structure used for identification satisfies  $H_\theta^{12} = 0$

$B_G$  will satisfy

$$B_G = \begin{bmatrix} 0 & 0 \\ \star & \star \end{bmatrix}.$$

As a result the plant transfers  $G_o^{11}$  and  $G_o^{12}$  can be identified asymptotically unbiased, irrespective of the noise model  $H_\theta$ , provided that

- $u$  is persistently exciting, and
- the parameters of  $G_\theta^{11}$  and  $G_\theta^{12}$  are independent of the parameters in the remaining transfers of  $G_\theta$  and  $H_\theta$ .  $\square$

The proposition shows that when the output disturbances on the two different types of outputs are uncorrelated, the entries in  $G_o$  related to the open-loop output  $y_1$  can be identified in an unbiased way, irrespective of the noise model. To this end the two inputs  $u_1$  and  $u_2$  need to be considered jointly. One can not retain the same properties of unbiasedness if simply  $u_1$  and  $y_1$  are taken to identify the transfer  $G_\theta^{11}$  separately.

The restriction on the parametrizations that is formulated in proposition 2 implies that there will occur problems if a multivariable parametrization for  $G_\theta$  is used in which

coupling of parameters in several entries of the transfer matrix occur. The entries that will be identified asymptotically unbiased need to be parametrized independent of the parameters in the other transfer entries of  $G_\theta$ . Attractive parametrizations that allow independent parametrizations in the transfer entries to different output signals are e.g. finite impulse response models, models based on orthogonal basis function expansions [6], [4], and state space models in output companion forms [2]. Less attractive model structures are general state space models, as e.g. used in subspace identification [8], and multivariable polynomial models as e.g. ARX models [3].

### C. The case of no cross-coupling: $G_o^{21} = 0$

If the plant's transfer from open-loop inputs  $u_1$  to closed-loop outputs  $y_2$  is known to be 0, a situation results where  $\Phi_{u_2 u_1} = 0$  and consequently  $\Phi_u$  becomes block diagonal. The situation is rather restrictive, but is still special enough to be considered separately. Substituting  $\Phi_{u_2 u_1} = 0$  into the expressions for  $B_G$  it follows that

$$B_G = \begin{bmatrix} 0 & \star \\ 0 & \star \end{bmatrix}.$$

As a result the plant transfers  $G_o^{11}$  and  $G_o^{21}$  can be identified asymptotically unbiased, irrespective of the noise model  $H_\theta$ , under conditions that are similar as formulated in proposition 2. Note that the situation of the entry  $G_o^{21}$  now is trivial, as it is presumed to be 0!

This situation allows for a separation of the identification problem. By only considering the measurements  $u_1$  and  $y_1$ , the transfer function  $G_o^{11}$  can be identified unbiasedly (irrespective of  $H_\theta$ ) even when discarding the effect of  $u_2$ . Discarding the effect of  $u_2$ , i.e. discarding the transfer  $G_o^{12}$ , then leads to an increase of the variance of the estimate, but not to a bias.

If both the condition  $G_o^{21} = 0$  and the set of assumptions from the previous subsection are satisfied, the resulting structure for  $B_G$  is

$$B_G = \begin{bmatrix} 0 & 0 \\ 0 & \star \end{bmatrix}.$$

As a result unbiased estimates (irrespective of  $H_\theta$ ) can be obtained for  $G_\theta^{11}$ ,  $G_\theta^{12}$  and  $G_\theta^{21}$ , provided that these model entries are parametrized independent of the remaining entry in  $G_\theta$  and from all entries in  $H_\theta$ . An unbiased estimate for  $G_\theta^{22}$  can, again, only be obtained if an unbiased estimate is obtained of the noise model  $H_\theta^{22}$ .

### V. THE PCLID PROBLEM WITH ONLY CONTROLLED INPUTS OR OUTPUTS

In this section the same line of analysis will be followed to investigate and discuss, briefly, convergence of the direct approach when applied to the PCLID situations where either no open-loop inputs or no open-loop outputs are present. It will become evident that similar conclusions as stated in the previous section are valid also for these PCLID situations.

#### A. The case of no open-loop inputs: $\dim(u_1) = 0$

In this PCLID case the bias-pull term can be shown to be

$$B_G = \begin{pmatrix} B_G^{12} \\ B_G^{22} \end{pmatrix} \quad (9)$$

with

$$\begin{aligned} B_G^{12} &= (H_o^{11} - H_\theta^{11})\Phi_{e_1 u_2} \Phi_{u_2}^{-1} + (H_o^{12} - H_\theta^{12})\Phi_{e_2 u_2} \Phi_{u_2}^{-1} \\ B_G^{22} &= (H_o^{21} - H_\theta^{21})\Phi_{e_1 u_2} \Phi_{u_2}^{-1} + (H_o^{22} - H_\theta^{22})\Phi_{e_2 u_2} \Phi_{u_2}^{-1} \end{aligned} \quad (10)$$

Also here, as can be seen, none of the bias-pull terms becomes independent of the biases of the noise model estimates. Hence, also this PCLID problem should basically be treated as a full closed-loop identification problem meaning that a completely unbiased  $H$ -estimate must be obtained in order to obtain a completely unbiased  $G$ -estimate. Under the additional assumptions of proposition 2 (disturbances  $v_1$  and  $v_2$  uncorrelated, etc.)

$$B_G = \begin{pmatrix} 0 \\ (H_o^{22} - H_\theta^{22})\Phi_{e_2 u_2} \Phi_{u_2}^{-1} \end{pmatrix}. \quad (11)$$

As a result, an unbiased estimate of  $G_o^{12}$  can be obtained irrespective of  $H_\theta$  under the usual conditions of independent parametrization. The transfer  $G_o^{22}$  can only be estimated unbiasedly, if the noise model  $H_\theta^{22}$  is estimated without bias.

#### B. The case of no open-loop outputs: $\dim(y_1) = 0$

If  $y_1$  is not present, the bias-pull term reduces to

$$B_G = \begin{pmatrix} B_G^{21} & B_G^{22} \end{pmatrix}. \quad (12)$$

with

$$\begin{aligned} B_G^{21} &= -(H_o^{22} - H_\theta^{22})\Phi_{e_2 u_2} \Phi_{u_2}^{-1} \Phi_{u_2 u_1} \Delta^{-1} \\ B_G^{22} &= (H_o^{22} - H_\theta^{22})\Phi_{e_2 u_2} \Phi_{u_2}^{-1} (I_{n_{u_2}} + \Phi_{u_2 u_1} \Delta^{-1} \Phi_{u_1 u_2} \Phi_{u_2}^{-1}) \end{aligned} \quad (13)$$

and  $\Delta$  as given before. Since  $B_G$  does not contain any structural zeros, the PCLID problem basically should, again, be treated as a full closed-loop identification problem. The additional (and simplifying) assumption that  $B_G^{21} = 0$ , implying that  $\Phi_{u_2 u_1} = 0$ , does not lead to any apparent advantage as it only affects  $B_G^{21}$  which is zero by assumption in this case.

## VI. DISCUSSION OF RESULTS AND ALTERNATIVE METHODS

The results presented in the previous sections point to limited possibilities for the direct PE identification method to partition a partial closed-loop identification problem into several subsequent steps. Such a partitioning can be very attractive in open-loop problems. In multivariable open-loop identification problems (cf. figure 4) it is generally possible to perform the following subsequent steps:

- First identify a consistent plant model  $\hat{G}$ , and validate this model;

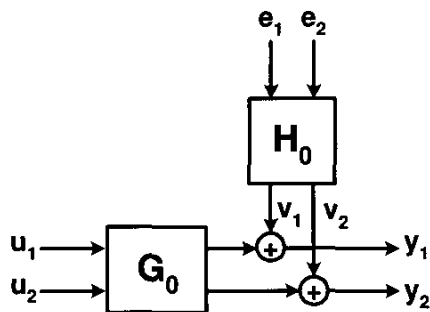


Fig. 4. Multivariable open-loop configuration.

- Next (if necessary) identify an accurate noise model  $\hat{H}$ .

The separation of these steps is attractive from a computational point of view, but also in view of a separate order and structure determination (validation) of the model transfers  $\hat{G}$  and  $\hat{H}$ . The first step in this procedure can even be partitioned in separate experiments, where one input signal at a time is excited, and corresponding SIMO models are identified. If the input signals are uncorrelated, i.e.  $\Phi_u$  is diagonal, the separation into SIMO identification problems can even be made on the basis of one dataset where all inputs are excited simultaneously. In all these situations there will be no bias in the plant estimate  $\hat{G}$ .

For the partial closed-loop identification problems as sketched and discussed in the previous sections, it appears that all these properties are lost when using the direct closed-loop identification method, once one single loop around the system is closed. Identification of an unbiased  $\hat{G}$  generally requires a full identification of the noise model  $\hat{H}$ .

Only in special cases ( $v_1$  and  $v_2$  uncorrelated) a part of  $G_o$  can be estimated unbiased without any limiting conditions on the estimated noise model. For the remaining part of the plant model a full noise model needs to be identified simultaneously.

Separation of the multivariable experiments into single input excitations (and SIMO model identifications) will always lead to biased models, because of the fact that input signals will be correlated through the presence of feedback.

As an alternative for the rather pessimistic results on closed-loop identification with the direct prediction error method, indirect methods or joint input-output methods as e.g. the two-stage method [7] can be considered. In this latter approach the transfer function from reference input to closed-loop input is estimated first, and this (unbiased) model estimate is used to construct a filtered closed-loop input in which the noise-dependent part of the signal is removed. In the second stage the plant model is then estimated on the basis of the reconstructed input signal and the measured

output. When applying the two-stage method to the PCLID problem, the first stage consists of estimating the transfer from both  $r$  and  $u_1$  to  $u_2$  and subsequently constructing the noise free part  $\hat{u}_2$  of the latter signal(s). In the second stage, the plant and (if necessary) noise model can then be obtained unbiasedly and in separate steps via estimating the transfer from  $\hat{u} := [u_1^T \hat{u}_2^T]^T$  to the outputs  $y$ . Note that it is important to also include  $u_1$  in the first step, in order to avoid that its effect is being considered as an unmeasured disturbance, leading to increased variance of the estimated model.

Although the direct prediction error method is attractive from a statistical efficiency point of view, alternative indirect (or joint i/o) methods can have particular advantages as indicated here.

## VII. CONCLUSIONS

In this paper, it has been shown that for the direct method of (closed-loop) prediction error identification in general any partial closed-loop identification (PCLID) problem has basically the same characteristics as a full closed-loop identification problem and should therefore be treated as such.

This implies that also for PCLID problems all transfer functions of the noise model must be estimated without bias for all transfer functions of the  $G$ -estimate to be unbiased. Only in the special case that the output disturbances on open-loop and closed-loop outputs are uncorrelated, parts of the plant model can be identified unbiased without identifying a noise model.

The implication of these results is that the option to partition the (large scale) identification problem into subsequent steps (first identifying  $G_o$  and subsequently  $H_o$ ) is not feasible for this approach, nor is it possible to partition the MIMO identification problem into independent SIMO problems.

It has been illustrated that these latter problems can be overcome by other methods of closed-loop identification as e.g. the two-stage method. Especially in multivariable problems with only a limited number of loops closed, it can be very attractive to remove the noise influence on the closed-loop inputs in a first step, and reformulate the identification as an open-loop problem, retaining all favorable properties of open-loop identification methods.

## REFERENCES

- [1] U. Forssell and L. Ljung, Closed-loop identification revisited, *Automatica*, Vol. 35, 1999, pp 1215-1241.
- [2] M. Gevers and V. Wertz, Uniquely identifiable state space and ARMA parametrizations for multivariable linear systems. *Automatica*, Vol. 20, no. 3, pp. 333-347, 1984.
- [3] L. Ljung, *System Identification: Theory for the User*, Second Edition, Prentice-Hall, Upper Saddle River, NJ; 1999.
- [4] B.M. Ninness, J.C. Gómez, and S. Weller, MIMO system identification using orthonormal basis functions. *Proc. 34th IEEE Conf. on Decision and Control*, pp. 703-708, New Orleans, 1995.
- [5] P.M.J. Van den Hof, Closed-loop issues in system identification, *Annual Reviews in Control*, Vol. 22, 1998, pp. 173-186.
- [6] P.M.J. Van den Hof, P.S.C. Heuberger, and J. Bokor, System identification with generalized orthonormal basis functions. *Automatica*, Vol. 31, no. 12, pp. 1821-1834, 1995.

- [7] P.M.J. Van den Hof and R.J.P. Schrama, An indirect method for transfer function estimation from closed-loop data. *Automatica*, Vol. 29, no. 6, pp. 1523-1527, 1993.
- [8] P. Van Overschee and B. de Moor, *Subspace Identification for Linear Systems*. Kluwer Academic Publ., Dordrecht, The Netherlands, 1996.
- [9] Y. Zhu, *Multivariable System Identification for Process Control*. Elsevier Science Ltd., 2001.